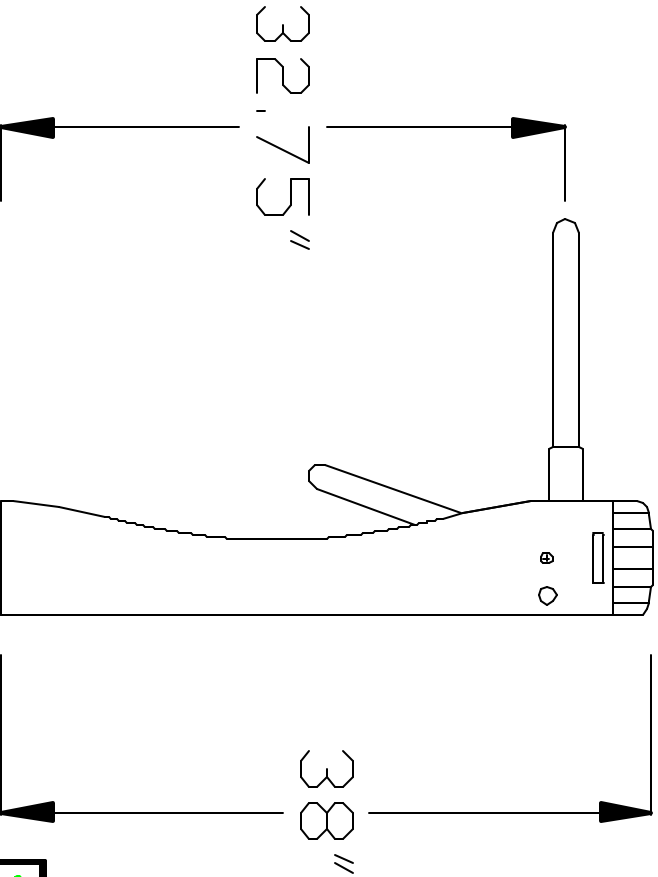
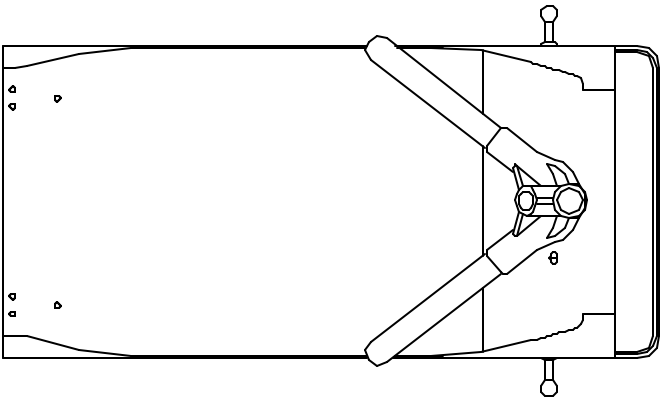
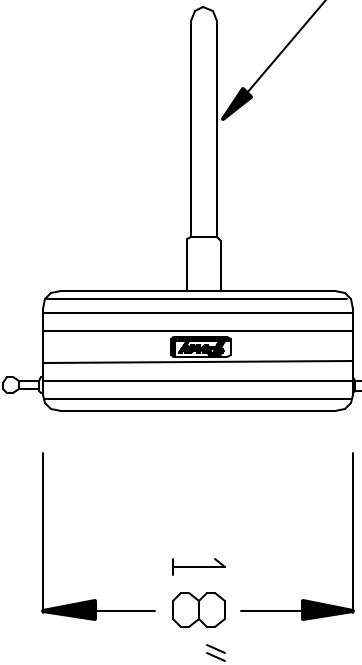


Optional Stainless Steel  
Hand Controls

Model 055 Fixed

Arm Length Options  
14" to 18.5"



**Power**  
 ALL INFORMATION CONTAINED HEREIN IS THE PROPERTY OF POWER MANAGEMENT SYSTEMS, INC. AND IS TO BE USED ONLY FOR THE PURPOSES SPECIFIED. ANY REPRODUCTION OR TRANSMISSION OF THIS INFORMATION WITHOUT THE WRITTEN PERMISSION OF POWER MANAGEMENT SYSTEMS, INC. IS STRICTLY PROHIBITED.

REV	DATE	DESCRIPTION
001	01/10	INITIAL RELEASE
002	02/10	REVISION 1
003	03/10	REVISION 2
004	04/10	REVISION 3
005	05/10	REVISION 4
006	06/10	REVISION 5
007	07/10	REVISION 6
008	08/10	REVISION 7
009	09/10	REVISION 8
010	10/10	REVISION 9
011	11/10	REVISION 10
012	12/10	REVISION 11
013	01/11	REVISION 12
014	02/11	REVISION 13
015	03/11	REVISION 14
016	04/11	REVISION 15
017	05/11	REVISION 16
018	06/11	REVISION 17
019	07/11	REVISION 18
020	08/11	REVISION 19
021	09/11	REVISION 20
022	10/11	REVISION 21
023	11/11	REVISION 22
024	12/11	REVISION 23
025	01/12	REVISION 24
026	02/12	REVISION 25
027	03/12	REVISION 26
028	04/12	REVISION 27
029	05/12	REVISION 28
030	06/12	REVISION 29
031	07/12	REVISION 30
032	08/12	REVISION 31
033	09/12	REVISION 32
034	10/12	REVISION 33
035	11/12	REVISION 34
036	12/12	REVISION 35
037	01/13	REVISION 36
038	02/13	REVISION 37
039	03/13	REVISION 38
040	04/13	REVISION 39
041	05/13	REVISION 40
042	06/13	REVISION 41
043	07/13	REVISION 42
044	08/13	REVISION 43
045	09/13	REVISION 44
046	10/13	REVISION 45
047	11/13	REVISION 46
048	12/13	REVISION 47
049	01/14	REVISION 48
050	02/14	REVISION 49
051	03/14	REVISION 50
052	04/14	REVISION 51
053	05/14	REVISION 52
054	06/14	REVISION 53
055	07/14	REVISION 54
056	08/14	REVISION 55
057	09/14	REVISION 56
058	10/14	REVISION 57
059	11/14	REVISION 58
060	12/14	REVISION 59
061	01/15	REVISION 60
062	02/15	REVISION 61
063	03/15	REVISION 62
064	04/15	REVISION 63
065	05/15	REVISION 64
066	06/15	REVISION 65
067	07/15	REVISION 66
068	08/15	REVISION 67
069	09/15	REVISION 68
070	10/15	REVISION 69
071	11/15	REVISION 70
072	12/15	REVISION 71
073	01/16	REVISION 72
074	02/16	REVISION 73
075	03/16	REVISION 74
076	04/16	REVISION 75
077	05/16	REVISION 76
078	06/16	REVISION 77
079	07/16	REVISION 78
080	08/16	REVISION 79
081	09/16	REVISION 80
082	10/16	REVISION 81
083	11/16	REVISION 82
084	12/16	REVISION 83
085	01/17	REVISION 84
086	02/17	REVISION 85
087	03/17	REVISION 86
088	04/17	REVISION 87
089	05/17	REVISION 88
090	06/17	REVISION 89
091	07/17	REVISION 90
092	08/17	REVISION 91
093	09/17	REVISION 92
094	10/17	REVISION 93
095	11/17	REVISION 94
096	12/17	REVISION 95
097	01/18	REVISION 96
098	02/18	REVISION 97
099	03/18	REVISION 98
100	04/18	REVISION 99
101	05/18	REVISION 100

NOTE: THIS DRAWING IS THE PROPERTY OF POWER MANAGEMENT SYSTEMS, INC. AND IS TO BE USED ONLY FOR THE PURPOSES SPECIFIED. ANY REPRODUCTION OR TRANSMISSION OF THIS INFORMATION WITHOUT THE WRITTEN PERMISSION OF POWER MANAGEMENT SYSTEMS, INC. IS STRICTLY PROHIBITED.

MODEL 055  
 PLAN AND ELEV.

REV A