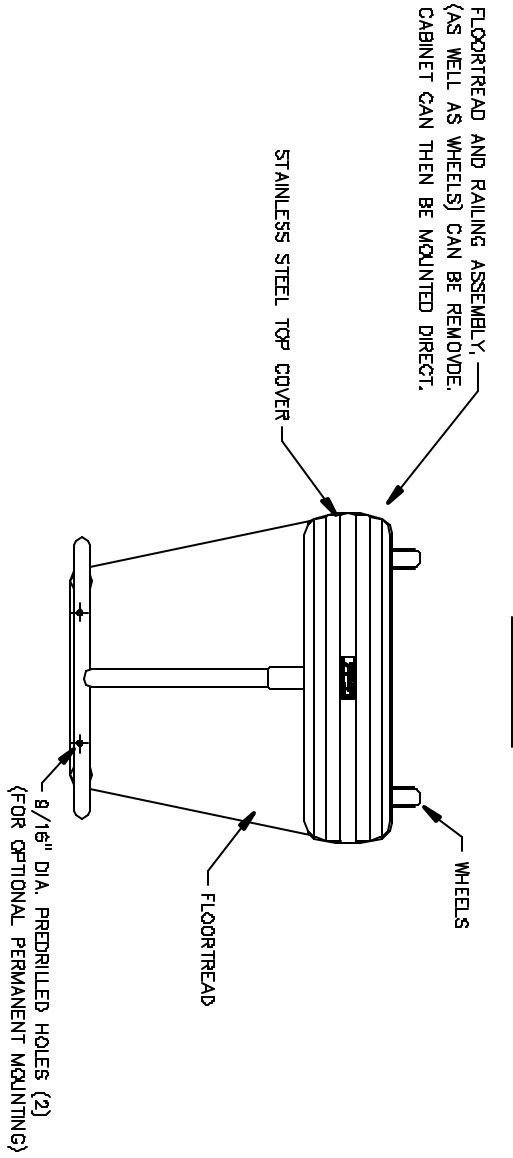
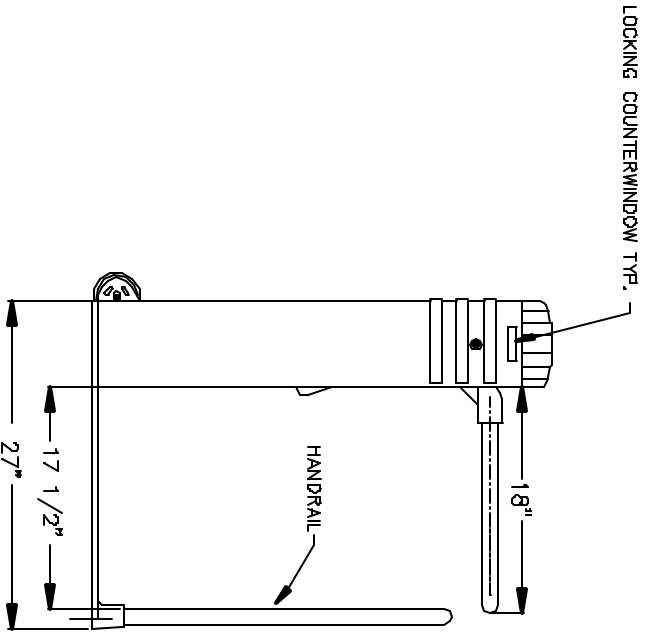


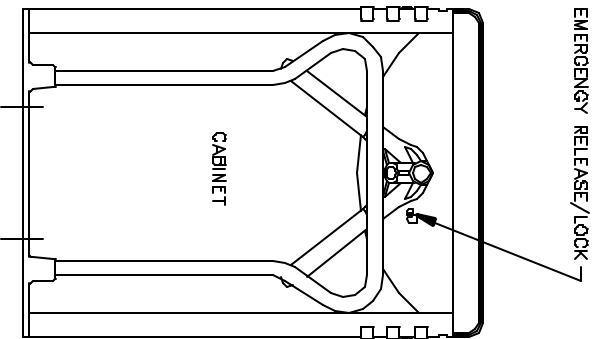
TOP VIEW



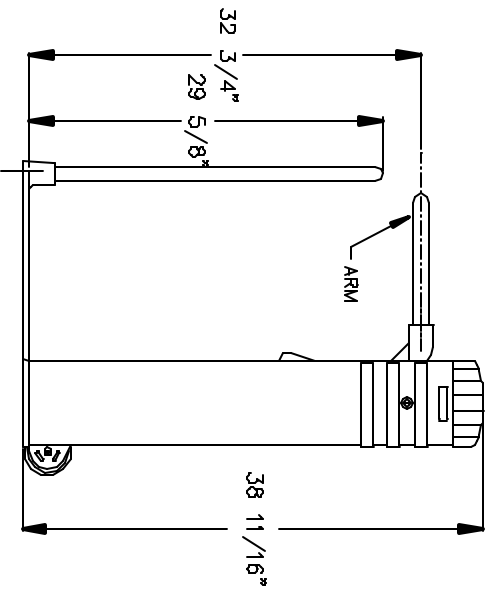
END VIEW



FRONT VIEW



END VIEW



DO NOT SCALE DRAWINGS

**Praxair**

NOTE: Praxair reserves the right to modify the design of this product, and the user should refer to the latest revision of the product manual for the most current information. Praxair is not responsible for any damage or injury resulting from the use of this product.

MODEL	BRAND	STATUS
MODEL 048	PORTABLE	PORTABLE
PART NO.	PARTNO	
A	A	