



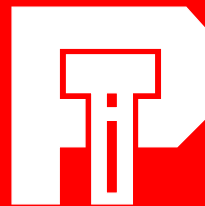
MODEL 48SS TRIPOD TURNSTILE

PEREY TURNSTILES

245 WESTCHESTER AVE, UNIT 866 PORT
CHESTER, New York 10573, USA

Tel. 203-333-9400

www.TURNSTILE.com



Since 1913
5 Year Warranty

Through the Generations,
People Turn to Perey.



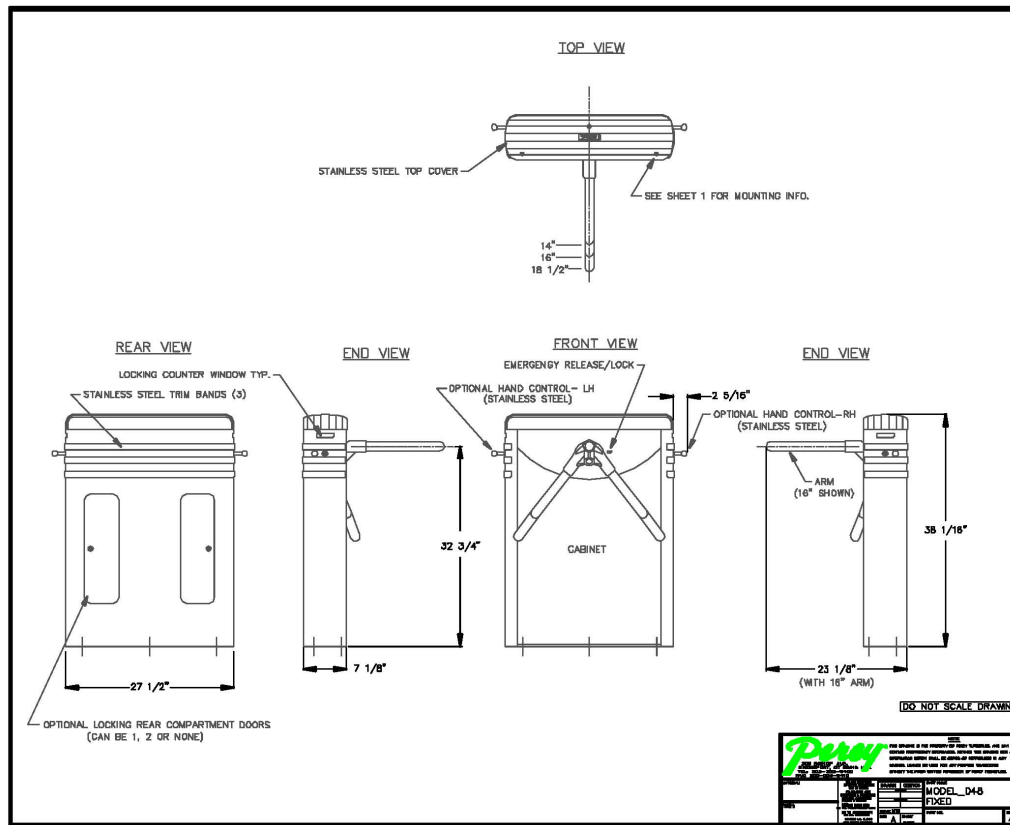
MODEL 48SS TRIPOD TURNSTILE

Classically styled heavy duty registering (counting) turnstile suitable for automated control by ticketing systems or automated fare collection or other systems. Powder coated lower cabinet with ANSI #304 stainless steel lid and arms. Tamper proof register and locked register cover. Materials and workmanship of unparalleled quality and durability. Minimal maintenance required. Portable model requires no installation. Many safety features. The unquestionable leader in spectator sports, recreation and amusement industries. The classic turnstile of choice world wide.





MODEL 48SS TRIPOD TURNSTILE



Short Form Specification

WEIGHT: Fixed 140 lbs. Net - 190 lbs. Crated, Portable 225 lbs. Net - 275 lbs. Crated.

COVER: Deep drawn stainless steel, .078" thick, corners with 1-3/8" radii.

Cabinet: Welded double wall (cavity) construction Each wall .078" thick. 2" blending outer wall radii, 1/4" thick stainless steel base plate.

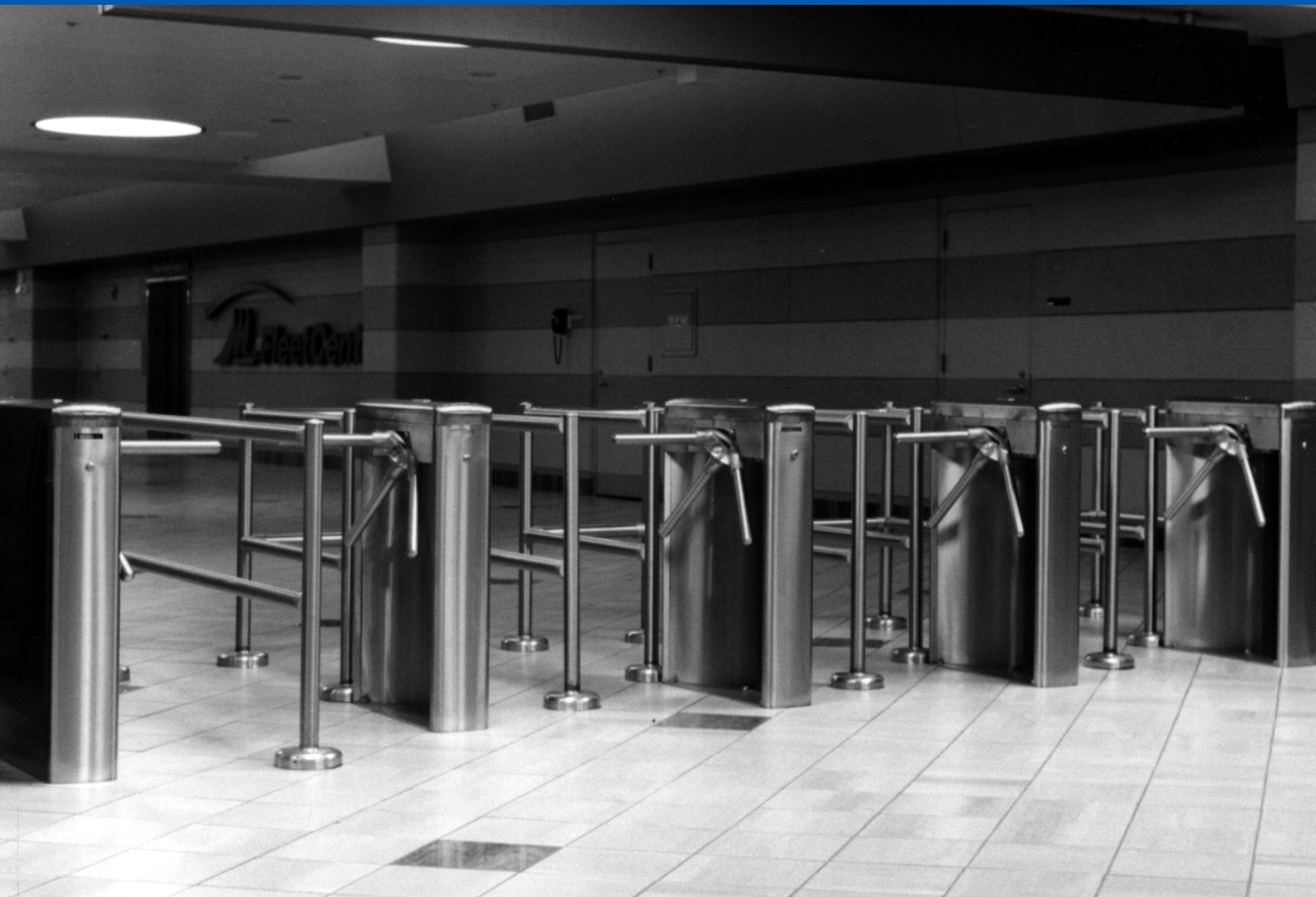
Mechanical Mechanism: Ratchet of 1" x 6.5" machined cast iron. Use aided by springs of 0.175" dia. spring steel. Motion stabilized by large rotary shock absorber and 1/2" thick cast iron two-lobe cam. Self Centered by 1/2" steel compression shoe.

Unlocking Controls: One continuous-duty rated 110 VAC or 240 VAC or 24VDC solenoid with 620% of required strength. Solenoid operates for 45 milliseconds per passage. All unlocking elements mechanical. No time relays or transformers.

ARMS: Stainless steel tubing, .049" thick walls, spun closed ends.

HUB: Solid steel with solid steel taper pin mounting.

PORTABLE: 0.04" thick steel floor tread with up to 22" opening, force fit stainless steel railing with .0112 wall thickness hand-grip loops, 3.5" diameter solid rubber wheels.



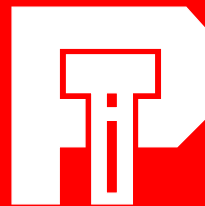
MODEL 48SS TRIPOD TURNSTILE

PEREY TURNSTILES

245 WESTCHESTER AVE, UNIT 866 PORT
CHESTER, New York 10573, USA

Tel. 203-333-9400

www.TURNSTILE.com



Since 1913
5 Year Warranty

Through the Generations,
People Turn to Perrey.