



MODEL 150SR TRIPOD TURNSTILE

PEREY TURNSTILES

308 Bishop Ave., Bridgeport, CT 06610, USA

Toll Free 877-TURNSTILE

Tel. 203-333-9400

Fax 203-333-9410

www.TURNSTILE.com



Since 1913
5 Year Warranty

GSA

Contract Holder
Contract GS-07F-5982R



MODEL 150SR TRIPOD TURNSTILE

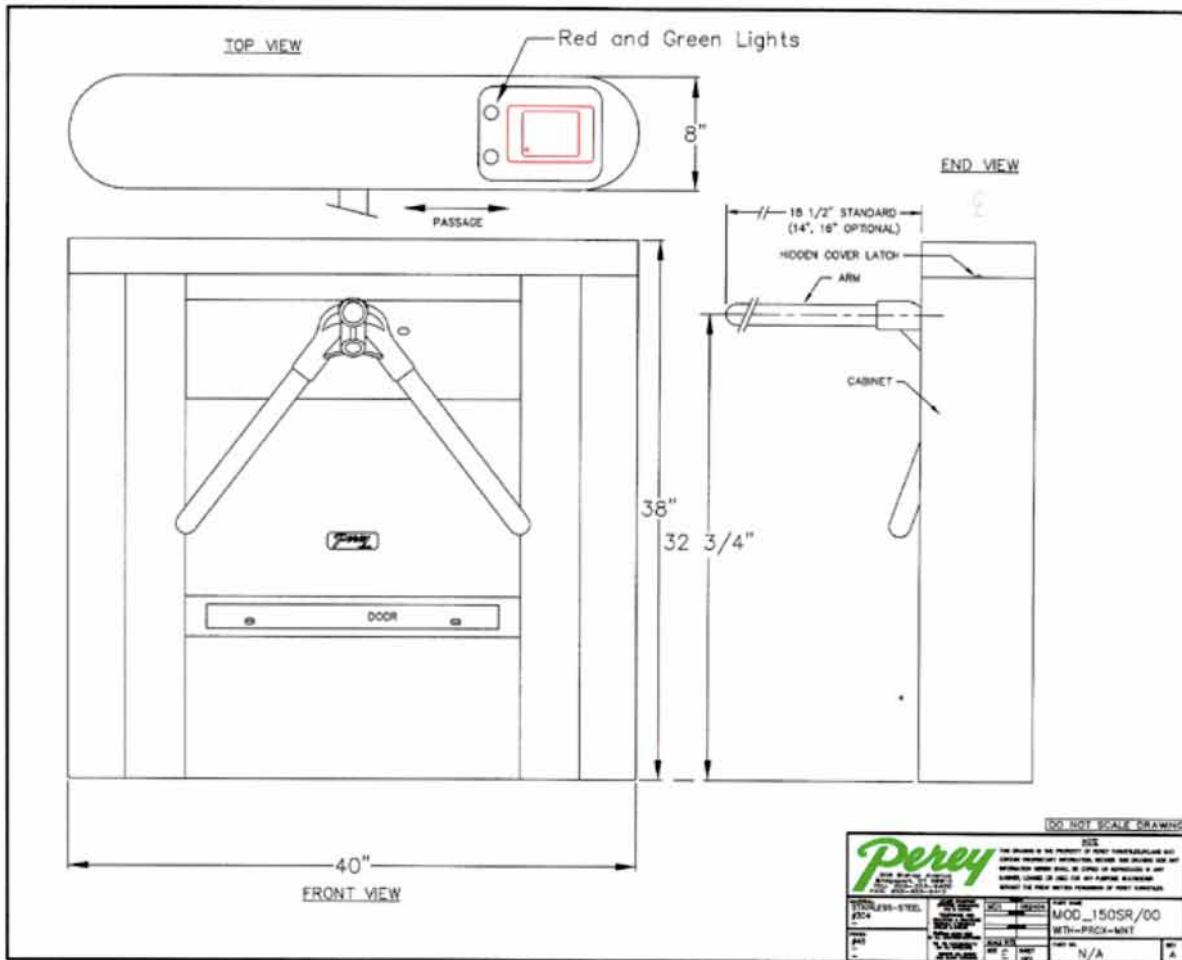
The ultimate design engineering.

Selected by Fortune 100 companies and others who require security **ONLY** a turnstile can provide. Designed for internal mounting of proximity magnetic stripe and other card reader technologies. Electronics packages and power supplies serving the card readers can be mounted inside the electronics enclosure. Photoelectric sensors can be provided on both in-bound and outbound sides to increase security protection. Lighted enunciators reading **PRESENT CARD/PLEASE PROCEED**, or other messages, are available.





MODEL 150SR TRIPOD TURNSTILE



Short Form Specification

WEIGHT: 195 lbs. Net - 235 lbs. crated.

COVER: ANSI 304 Stainless steel with #4 brushed finish, .078" thick, 0.25" radii corners, sides 2.5" deep, fully radius'd ends.

CABINET: ANSI 304 stainless steel with a #4B brushed finish. Each wall .078" thick. Electronics housing between turnstile legs with housing access door having two locks. Fully radius'd ends.

ARMS: ANSI 304 Stainless steel tubing brushed finish, spun closed ends.

HUB: Solid steel with solid steel taper pin mounting.

Mechanical Mechanism: Ratchet of 1" x 6.5" machined cast iron. Use aided by springs of 0.175" dia. spring steel. Motion stabilized by large rotary shock absorber and 1/2" thick cast iron two-lobe cam. Self Centered by 3/4" laminated steel compression shoe.

Unlocking Controls: One continuous-duty rated 24VDC solenoid with 620% of required strength. Solenoid operates for 45 milliseconds per passage. All unlocking elements are mechanical. No time relays or transformers.



MODEL 150SR TRIPOD TURNSTILE

PEREY TURNSTILES

308 Bishop Ave., Bridgeport, CT 06610, USA

Toll Free 877-TURNSTILE

Tel. 203-333-9400

Fax 203-333-9410

www.TURNSTILE.com



Since 1913
5 Year Warranty

GSA

Contract Holder
Contract GS-07F-5982R